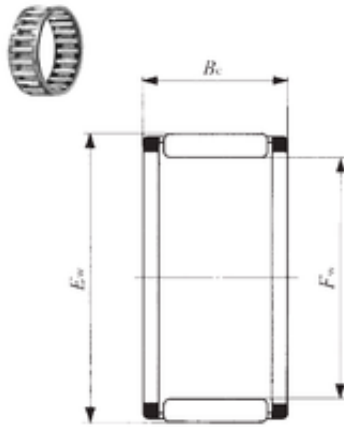




NTN DRIVESHAFT , INC.



KT 405432 Bearing 2D drawings and 3D CAD models

IKO KT 405432 Rolamentos de agulha

Bearing No. KT 405432

Bore Diameter	40 mm
Outer Diameter	54 mm
Fw	40 mm
Ew	54 mm
Bc	32 mm
Weight	0,144 Kg
Basic dynamic load rating (C)	66,8 kN
Basic static load rating (C0)	87,2 kN
Category	Needle Non Thrust Roller Bearings
Inventory	0.0
Manufacturer Name	IKO
Minimum Buy Quantity	N/A
Weight / Kilogram	0.14
EAN	4549557035432
Product Group	B04144
Rolling Element	Needle Roller Bearing
Component	Roller Assembly Only
Enclosure	Not Applicable
Self Aligning	No
Retainer	Yes
Number of Rows of Rollers	Single Row
Separable	No
Closed End	Not Applicable
Inch - Metric	Metric
Thrust Bearing	No



NTN DRIVESHAFT , INC.

Long Description	40MM Bore; 54MM Outside Diameter; 32MM Width; Needle Roller Bearing; Roller Assembly Only; Not Self Aligning; Retainer; Single Row of Rollers; Not Separable
Other Features	C3 Clearance
Category	Needle Non Thrust Roller Bearing
UNSPSC	31171512
Harmonized Tariff Code	8482.99.65.30
Noun	Roller Assembly
Keyword String	Bearing Needle
Manufacturer URL	http://www.ikont.com
Manufacturer Item Number	KT405432C3
Weight / LBS	0.317
Bore	1.575 Inch 40 Millimeter
Width	1.26 Inch 32 Millimeter
Outside Diameter	2.126 Inch 54 Millimeter